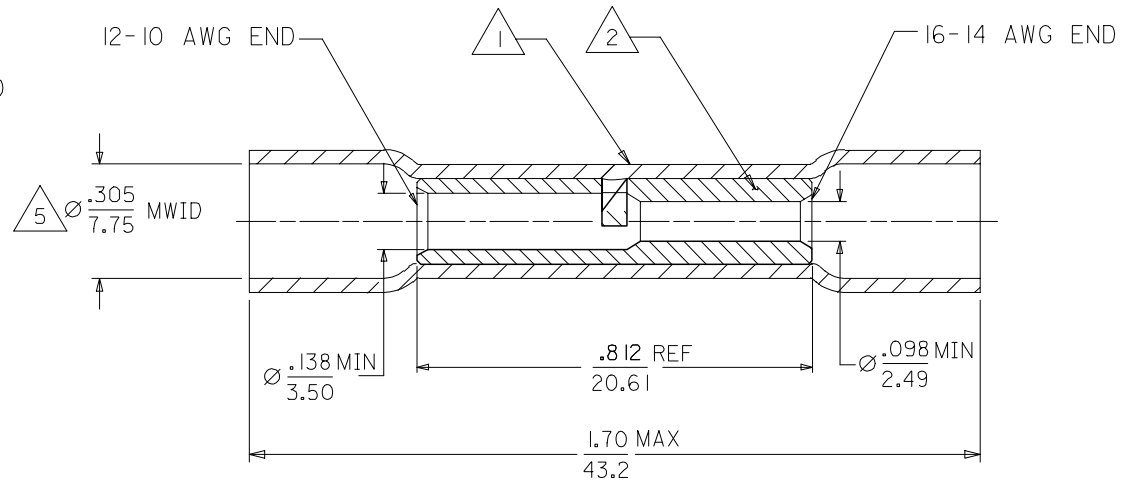
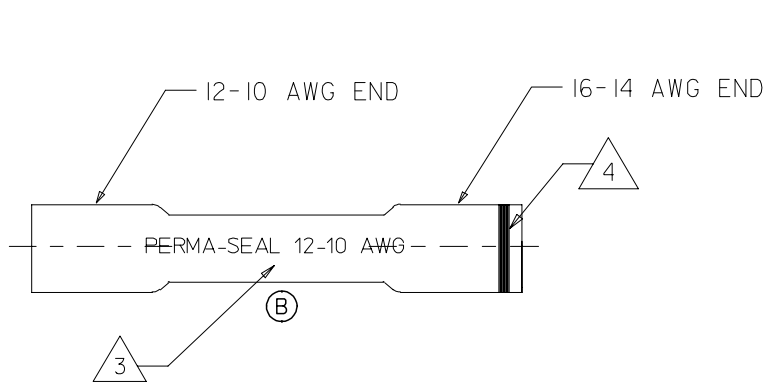


MATERIAL NUMBER	ENGINEERING NUMBER
191640077	SBA-646



NOTES.

- 1. INSULATION MATERIAL: HEAT SHRINKABLE TUBING WITH HOTMELT INNER LINER. COLOR YELLOW.
- 2. SEAMLESS TIN PLATED COPPER TERMINAL.
- 3. PRINTED TEXT IN BLACK .06 HIGH AS SHOWN. DIRECTION CAN BE REVERSED DUE TO MFG PROCESSES.
- 4. BLUE STRIPE ORIENTATED ON 16-14 AWG END OF CONNECTOR.
- 5. MWID-MAXIMUM WIRE INSULATION DIAMETER.

SALES DRAWING

ADDED *PERMA-SEAL* EC NO: ETC2005-0220 DRAWN:MYRICK 2005/06/16 CHKD:RDEROSS 2005/06/16 APPR:RDEROSS 2005/06/20	QUALITY SYMBOLS	GENERAL TOLERANCES (UNLESS SPECIFIED)	DIMENSION STYLE IN/MM	SCALE ---	DESIGN UNITS INCH	THIRD ANGLE PROJECTION
	$\nabla=0$ $\nabla=0$	4 PLACES ± --- ± --- 3 PLACES ± --- ± --- 2 PLACES ± --- ± --- 1 PLACE ± --- ± --- ANGULAR ±1/2°	DRAWN BY DATE BENDERLE 2002/10/01 CHECKED BY DATE HBEITZEL 2002/10/01 APPROVED BY DATE RDEROSS 2002/10/01	TITLE	STEP DOWN BUTT SPLICE PERMA-SEAL NIAC 12-10 AWG 16-14 AWG	
	DRAFT WHERE APPLICABLE MUST REMAIN WITHIN DIMENSIONS	MATERIAL NO. SEE CHART SIZE B	DOCUMENT NO. SD-19164-028 MOLEX INCORPORATED	SHEET NO. 1 OF 1		
	THIS DRAWING CONTAINS INFORMATION THAT IS PROPRIETARY TO MOLEX INCORPORATED AND SHOULD NOT BE USED WITHOUT WRITTEN PERMISSION					